

OUT WITH THE OLD AND IN WITH THE NEW



THE TOWER SPACE 2000

The KBL Tower space 2000 gives your salon a unique and personal touch.
An innovative design with high-quality materials and impressive tanning performance.





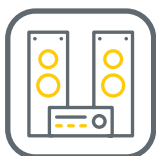
UV LAMPS



EASY CONTROL



BODY COOL



SOUND SYSTEM



MEGA VOICE



VIBRANANO*

TECHNICAL DATA – TOWER SPACE 2000

Power consumption: 10 kW

Weight: ~860 lbs

Floor plate: 330 lbs (max. load capacity)

ELECTRICAL REQUIREMENTS

Power connection: rear side left

Protective class: IP20

Mains voltage: 3-phase: 3 x 220 V / ~ / 60 Hz

Wire cross section: 3-phase: 4 x AWG8

Circuit breaker recommended: 3-phase: 3 x 40 A

All tanning devices with Class-A ground fault circuit interrupter GFCI.

CENTRAL EXHAUST AIR DISCHARGE

Fan: Exhaust-air socket Ø ~11.81 inch

Minimum exhaust air flow rate: 528344 gal/hour

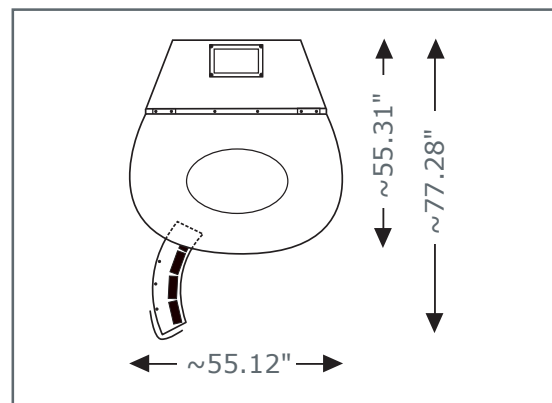
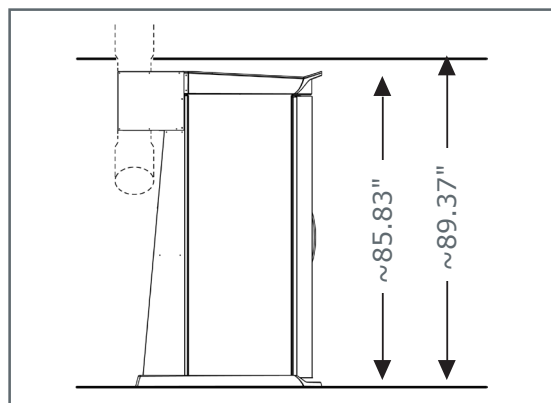
Exhaust-air hose: Ø ~11.81 inch

DIMENSIONS

Recommended roomsize: 7' x 7'

Dimensions in inch (HxWxD): 85.83 x 55.12 x 55.31 (closed)

85.83 x 55.12 x 77.28 (opened)



*optional

Contraindication: This product is contraindicated for use on persons under the age of 18 years. "Contraindication: This product must not be used if skin lesions or open wounds are present." "Warning: This product should not be used on individuals who have had skin cancer or have a family history of skin cancer." "Warning: Persons repeatedly exposed to UV radiation should be regularly evaluated for skin cancer."