

# P9 hybridSun



## TECHNICAL SPECIFICATIONS



Design by  
**STUDIO F·A·PORSCHE**

## LAMPS

### CANOPY

14x pureSunlight

- max. 200W
- Art.Nr.: 3230076176

6x smartSunlight

- max. 200W
- Art.Nr.: 3230076177

### SIDE

4x pureSunlight

- max. 200W
- Art.Nr.: 3230076176

2x smartSunlight

- max. 200W
- Art.Nr.: 3230076177

### BASE

16x pureSunlight

- max. 200W
- Art.Nr.: 3230075155

8x smartSunlight

- max. 200W
- Art.Nr.: 3230076172

### FACIALS

4x megaLine HP 800

- Art.Nr.: 4230320000

### SHOULDER TANNER

2x MS250

- Art.Nr.: 3200224000

### BEAUTY BOOSTER

70x Beauty Booster HyperRed





Matrix Light



Wireless Charging



Intelligent Control System



Easy Control



Pure Facials



Beauty Booster HyperRed



Pure Sunlight



Smart Sunlight



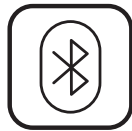
X-Tra Tan



Sound System



Mega Voice



Bluetooth



Aqua Cool



Aroma



Air Condition

# P9 hybridSun

Power consumption: 11 kW/14,5 kW

Weight: 1477 lbs (with air conditioning)

Bed pane: max. load capacity: 330 lbs

## ELECTRICAL CONNECTION VALUES

Protective class: IP20

Mains voltage: 3-phase: 3 x 220 V / ~ / 60 Hz

Wire cross section: 3-phase: 4 x AWG6

THHN cable in a isolation tubing (e.g. flexible metallic conduit, utilizing appropriate connectors)

Breaker: 3-phase: 3 x 50 A

## CENTRAL EXHAUST AIR:

Fan / blower: Exhaust-air socket Ø 300mm (~11,81 inch) -- 84,65 inch (top)

Minimum exhaust air flow rate: 2250m<sup>3</sup>/h (594400 gal/hour)

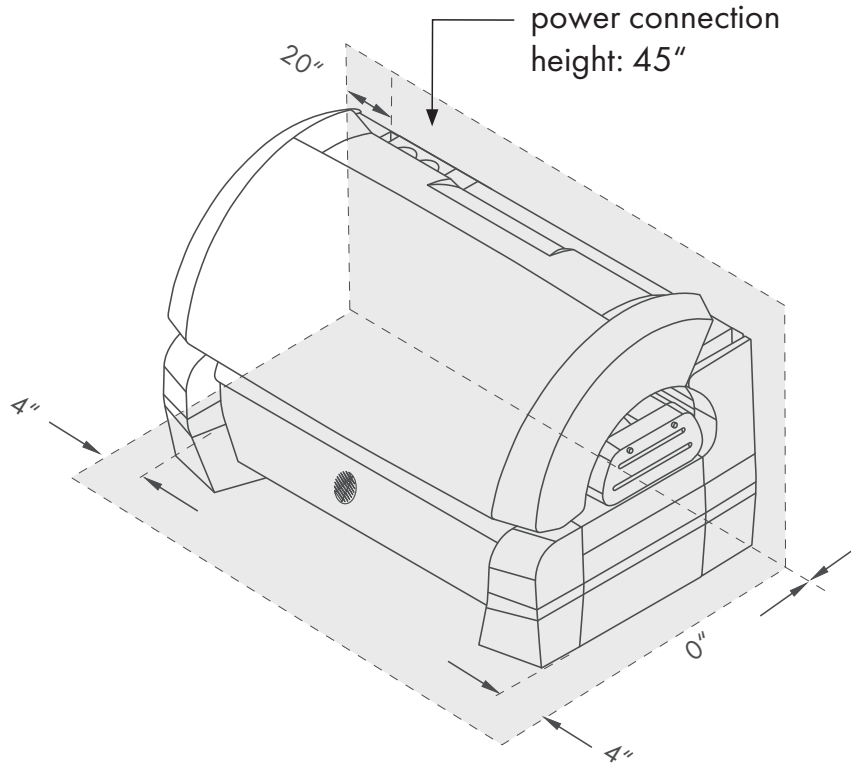
Exhaust air duct hose: Ø 300 mm (~11,81 inch)

## MEASUREMENTS

in inches (height x width x depth): 62,88" x 94,37" x 59,14" (closed)

78,67" x 94,37" x ~9,14" (open)

Height with exhaust: 84,65"



power connection height: 45"

20"

4"

0"

4"

# P9 extraSun



## TECHNICAL SPECIFICATIONS



Design by  
**STUDIO F·A·PORSCHE**

## LAMPS

### CANOPY

#### 16x pureSunlight

- max. 200W
- Art.Nr.: 3230076175

#### 4x extraSunlight

- max. 200W
- Art.Nr.: 3230076173

### SIDE

#### 4x pureSunlight

- max. 200W
- Art.Nr.: 3230076175

#### 2x extraSunlight

- max. 200W
- Art.Nr.: 3230076173

### BASE

#### 24x pureSunlight

- max. 200W
- Art.Nr.: 3230074740

### FACIALS

#### 4x megaLine HP 800

- Art.Nr.: 4230320000

### SHOULDER TANNER

#### 2x MS250

- Art.Nr.: 3200224000

### BEAUTY BOOSTER

#### 70x Beauty Booster HyperRed





Matrix Light



Wireless Charging



Intelligent Control System



Easy Control



Pure Facials



Beauty Booster HyperRed



Pure Sunlight



Extra Sunlight



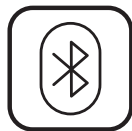
X-Tra Tan



Sound System



Mega Voice



Bluetooth



Aqua Cool



Aroma



Air Condition

# P9 extraSun

Power consumption: 11 kW/14,5 kW

Weight: 1477 lbs (with air conditioning)

Bed pane: max. load capacity: 330 lbs

## ELECTRICAL CONNECTION VALUES

Protective class: IP20

Mains voltage: 3-phase: 3 x 220 V / ~ / 60 Hz

Wire cross section: 3-phase: 4 x AWG6

THHN cable in a isolation tubing (e.g. flexible metallic conduit, utilizing appropriate connectors)

Breaker: 3-phase: 3 x 50 A

## CENTRAL EXHAUST AIR:

Fan / blower: Exhaust-air socket Ø 300mm (~11,81 inch) -- 84,65 inch (top)

Minimum exhaust air flow rate: 2250m<sup>3</sup>/h (594400 gal/hour)

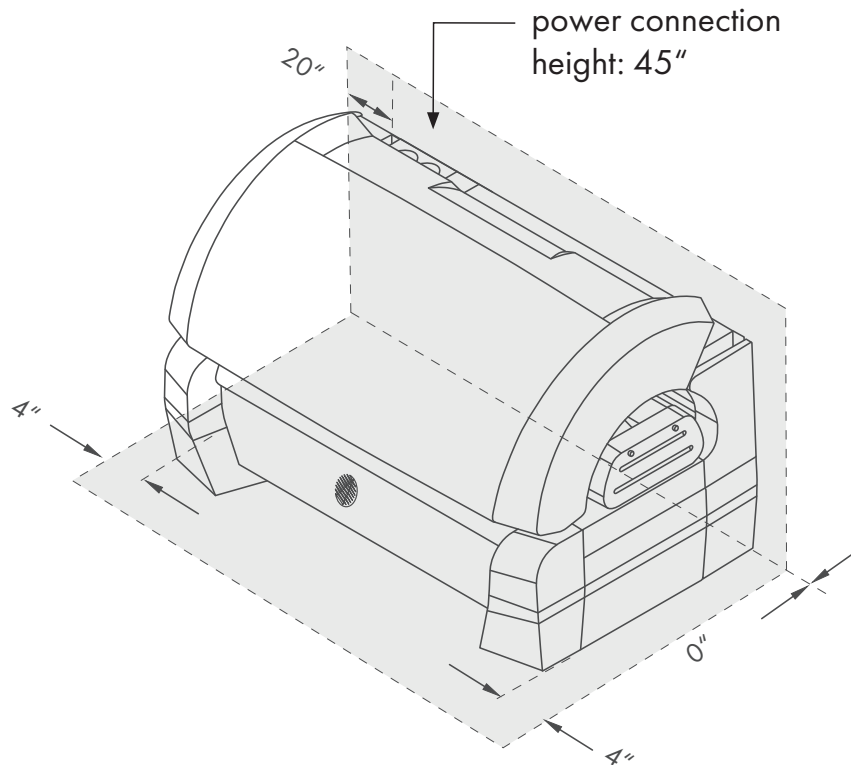
Exhaust air duct hose: Ø 300 mm (~11,81 inch)

## MEASUREMENTS

in inches (height x width x depth): 62,88" x 94,37" x 59,14" (closed)

78,67" x 94,37" x ~9,14" (open)

Height with exhaust: 84,65"



power connection height: 45"

20"

4"

0"

4"