



SUNSHINE
MEETS DESIGN

Design by
STUDIO F·A·PORSCHE

P9 hybridSun

10
MINUTES

CANOPY

14x pureSunlight	6x smartSunlight
· max. 200W · Art.Nr.: 3230076176	· max. 200W · Art.Nr.: 3230076177

SIDE

4x pureSunlight	2x smartSunlight
· max. 200W · Art.Nr.: 3230076176	· max. 200W · Art.Nr.: 3230076177

BASE

16x pureSunlight	8x smartSunlight
· max. 200W · Art.Nr.: 3230075155	· max. 200W · Art.Nr.: 3230076172

FACIALS

4x megaLine HP 800
· Art.Nr.: 4230320000

SHOULDER TANNER

2x MS250
· Art.Nr.: 3200224000

BEAUTY BOOSTER

70x Beauty Booster HyperRed



P9 hybridSun



Matrix Light



Wireless Charging



Intelligent Control System



Easy Control



Pure Facials



Beauty Booster HyperRed



Pure Sunlight



Smart Sunlight



X-Tra Tan



Sound System



Mega Voice



Bluetooth



Aqua Cool



Aroma



Air Condition

TECHNICAL DATA

Power consumption:	13,6 kW/14,9 kW
Weight:	1477 lbs (with air conditioning)
Bed pane:	max. load capacity: 330 lbs

ELECTRICAL REQUIREMENTS

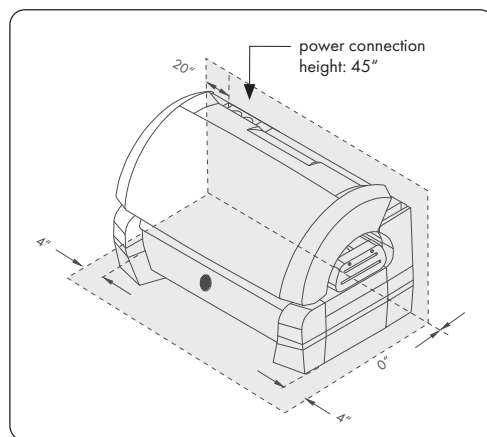
Protective class:	IP20
Mains voltage:	3-phase: 3 x 220 V / ~ / 60 Hz
Wire cross section:	3-phase: 4 x AWG6 THHN cable in a isolation tubing (e.g. flexible metallic conduit, utilizing appropriate connectors)
Breaker:	3-phase: 3 x 50 A

CENTRAL EXHAUST AIR

Fan / blower:	Exhaust-air socket Ø 300mm (~11,81 inch) -- 84,65 inch (top)
Minimum exhaust air flow rate:	2250m ³ /h (594400 gal/hour)
Exhaust air duct hose:	Ø 300 mm (~11,81 inch)

MEASUREMENTS

Dimensions in inch (HxWxD):	62,88" x 94,37" x 60,32" (closed) 78,67" x 94,37" x 59,14" (open)
Height with exhaust:	84,65"



Magic Silver

Copper Rose

Wonder White

Contraindication: This product is contraindicated for use on persons under the age of 18 years. "Contraindication: This product must not be used if skin lesions or open wounds are present." "Warning: This product should not be used on individuals who have had skin cancer or have a family history of skin cancer." "Warning: Persons repeatedly exposed to UV radiation should be regularly evaluated for skin cancer." © Copyright 2022 KBL GmbH, Germany. Errors and omissions possible. KBL GmbH reserves the right to change technical data without notice.



SUNSHINE
MEETS DESIGN

Design by
STUDIO F·A·PORSCHE

P9 extraSun

10
MINUTES

CANOPY

16x pureSunlight	4x extraSunlight
· max. 200W · Art.Nr.: 3230076175	· max. 200W · Art.Nr.: 3230076173

SIDE

4x pureSunlight	2x extraSunlight
· max. 200W · Art.Nr.: 3230076175	· max. 200W · Art.Nr.: 3230076173

BASE

24x pureSunlight
· max. 200W · Art.Nr.: 3230074740

FACIALS

4x megaLine HP 800
· Art.Nr.: 4230320000

SHOULDER TANNER

2x MS250
· Art.Nr.: 3200224000

BEAUTY BOOSTER

70x Beauty Booster HyperRed



P9 extraSun



Matrix Light



Wireless Charging



Intelligent Control System



Easy Control



Pure Facials



Beauty Booster HyperRed



Pure Sunlight



Extra Sunlight



X-Tra Tan



Sound System



Mega Voice



Bluetooth



Aqua Cool



Aroma



Air Condition

TECHNICAL DATA

Power consumption:	13,6 kW/14,9 kW
Weight:	1477 lbs (with air conditioning)
Bed pane:	max. load capacity: 330 lbs

ELECTRICAL REQUIREMENTS

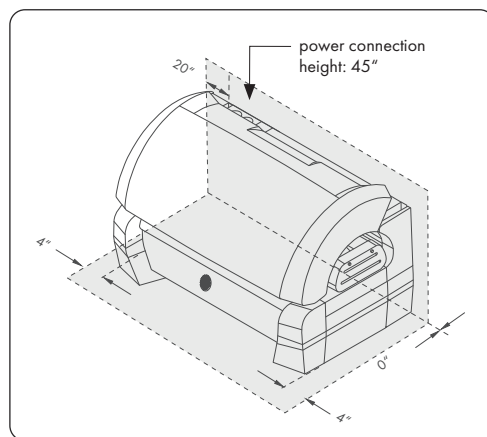
Protective class:	IP20
Mains voltage:	3-phase: 3 x 220 V / ~ / 60 Hz
Wire cross section:	3-phase: 4 x AWG6 THHN cable in a isolation tubing (e.g. flexible metallic conduit, utilizing appropriate connectors)
Breaker:	3-phase: 3 x 50 A

CENTRAL EXHAUST AIR

Fan / blower:	Exhaust-air socket Ø 300mm (~11,81 inch) -- 84,65 inch (top)
Minimum exhaust air flow rate:	2250m ³ /h (594400 gal/hour)
Exhaust air duct hose:	Ø 300 mm (~11,81 inch)

MEASUREMENTS

Dimensions in inch (HxWxD):	62,88" x 94,37" x 60,32" (closed) 78,67" x 94,37" x 59,14" (open)
Height with exhaust:	84,65"



Magic Silver

Copper Rose

Wonder White

Contraindication: This product is contraindicated for use on persons under the age of 18 years. "Contraindication: This product must not be used if skin lesions or open wounds are present." "Warning: This product should not be used on individuals who have had skin cancer or have a family history of skin cancer." "Warning: Persons repeatedly exposed to UV radiation should be regularly evaluated for skin cancer." © Copyright 2022 KBL GmbH, Germany. Errors and omissions possible. KBL GmbH reserves the right to change technical data without notice.