

OUT WITH THE OLD AND IN WITH THE NEW



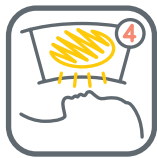
THE HIGH-END SOLARIUM 7900 ALPHA DELUXE

The KBL 7900 caters to the individual style of each tanning salon. Fully-loaded with comfort and performance features this solarium will be a great addition to your line-up.





UV LAMPS



GLASS FACIAL SYSTEM



BEAUTY BOOSTER



X-TRA TAN



PRESELECTION



EASY CONTROL



COLOR MOTION



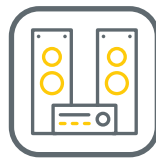
AIR CONDITION



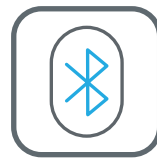
AQUA COOL



AROMA



SOUND SYSTEM



BLUETOOTH



MEGA VOICE



CPI

TECHNICAL DATA – 7900 ALPHA DELUXE

Power consumption:	14 kW
Weight:	~1477 lbs (with air conditioning)
Bench pane:	330 lbs (max. load capacity)

ELECTRICAL REQUIREMENTS

Power connection:	rear side left
Protective class:	IP20
Mains voltage:	3-phase: 3 x 220 V / ~ / 60 Hz
Wire cross section:	3-phase: 4 x AWG6
Circuit breaker recommended:	3-phase: 3 x 50 A

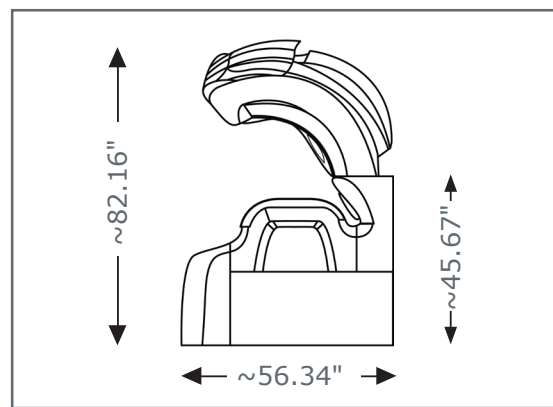
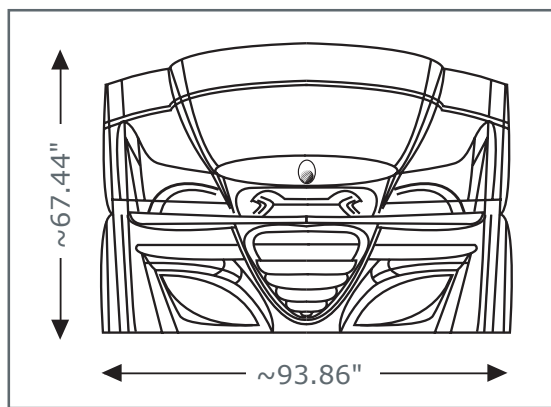
All tanning devices with Class-A ground fault circuit interrupter GFCI.

CENTRAL EXHAUST AIR DISCHARGE

Fan:	Exhaust-air socket Ø ~11.81 inch Height to top ~82.48 inch
Minimum exhaust air flow rate:	594400 gal/hour
Exhaust-air hose:	Ø ~11.81 inch

DIMENSIONS

Recommended roomsize:	9' x 10'
Dimensions in inch (HxWxD):	~67.44" x ~93.86" x ~56.34" (closed) ~82.16" x ~93.86" x ~56.34" (open)



Contraindication: This product is contraindicated for use on persons under the age of 18 years. "Contraindication: This product must not be used if skin lesions or open wounds are present." "Warning: This product should not be used on individuals who have had skin cancer or have a family history of skin cancer." "Warning: Persons repeatedly exposed to UV radiation should be regularly evaluated for skin cancer."