

7000  $\alpha$  extraSun





**Be special!**

The new 7000 alpha extraSun: Intensive sunlight with an extra-high percentage of UVB for increased pigment development enabled by the one-of-a-kind extraSunlight lamps.

-   
**pure**  
**Sunlight**
-   
**extra**  
**Sunlight**
-   
**beauty**  
**Booster**
-   
**pure**  
**Facials**

**7000 $\alpha$ extraSun**







## Versatility is key!

The new 7000 series is setting completely new standard in its class. Your customers will be able to select the perfect tanning experience right from the start. In addition to the great tanning performance we provide you with comforting features.

### Intelligent Control System (ICS)

Tanning with a special touch: The Intelligent Control System with its innovative touch screen simplifies the use of the new 7000 series. Your customers can personalize their session quickly and intuitively. Easy access to maintenance features and service settings will assist you as the operator.



### extraSunlight lamps

The best way to raise your sunshine vitamin levels is the exposure to sunlight. The one-of-a-kind extraSunlight lamps with an extra-high percentage of UVB ensure increased pigment development.







# 7000 $\alpha$

Service & Facts



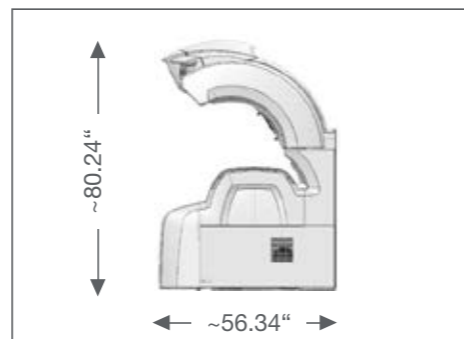
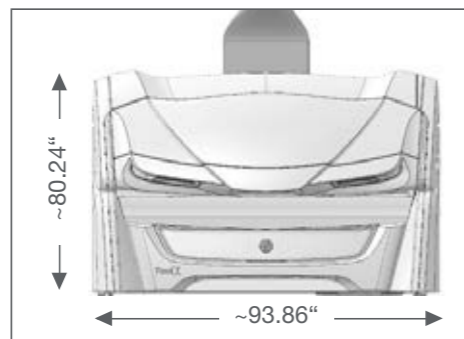
# 7000 $\alpha$ extraSun

**Canopy:** 20 x 200 W (max.) pureSunlight lamps  
 6 x 80 W extraSunlight lamps  
 4 x 500 W pureFacials, switch on-off  
 40 beautyBooster (face, décolleté)

**Bench:** 20 x 200 W (max.) pureSunlight lamps

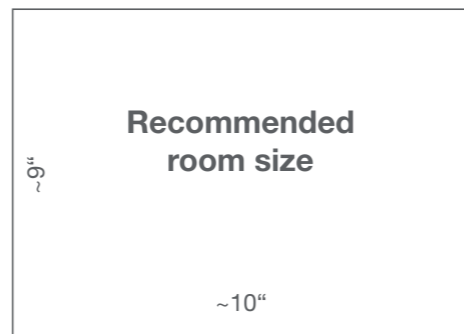
## Unit Dimension L x B x H

closed: ~93,86" x ~56,34" x ~60,59"  
 open: ~93,86" x ~56,34" x ~80,24"



	1	2	3	4	5	6	7	8	9	10
Instant tanning results	●	●	●	●	●	●	●	●	●	○
Pigment development	●	●	●	●	●	●	●	●	●	●
Skin care factor	●	●	●	●	●	●	●	○	○	○
Sunfit factor	●	●	●	●	●	●	●	●	●	●

Exemplary comparative depiction





KBL GmbH – The Beauty & Health Company · Ringstraße 24-26 · 56307 Dernbach/Germany  
fon +49 2689.9426-0 · fax +49 2689.9426-66 · e-mail sales\_northamerica@kbl.de

[www.kbl-usa.com](http://www.kbl-usa.com)

© Copyright 2019 KBL GmbH, Germany · KBL GmbH reserves the right to change technical data or specifications without notice.

Contraindication: This product is contraindicated for use on persons under the age of 18 years. “Contraindication: This product must not be used if skin lesions or open wounds are present.”

“Warning: This product should not be used on individuals who have had skin cancer or have a family history of skin cancer.”

“Warning: Persons repeatedly exposed to UV radiation should be regularly evaluated for skin cancer.