

# OUT WITH THE OLD AND IN WITH THE NEW



---

## THE SOLARIUM 4800 ALPHA

The clear design language and consistent contours clearly reveal the family affiliation of the KBL 4800 alpha while showcasing unique details and innovations as well as, not least, an attractive design.



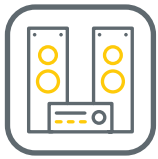
UV LAMPS



GLASS FACIAL SYSTEM



EASY CONTROL



SOUND SYSTEM



BODY FAN

## TECHNICAL DATA – 4800 ALPHA

Power consumption:	10 kW
Weight:	~1190 lbs
Bench pane:	330 lbs (max. load capacity)

### ELECTRICAL REQUIREMENTS

Power connection:	rear side left
Protective class:	IP20
Mains voltage:	3-phase: 3 x 220 V / ~ / 60 Hz
Wire cross section:	3-phase: 4 x AWG8
Circuit breaker recommended:	3-phase: 3 x 40 A

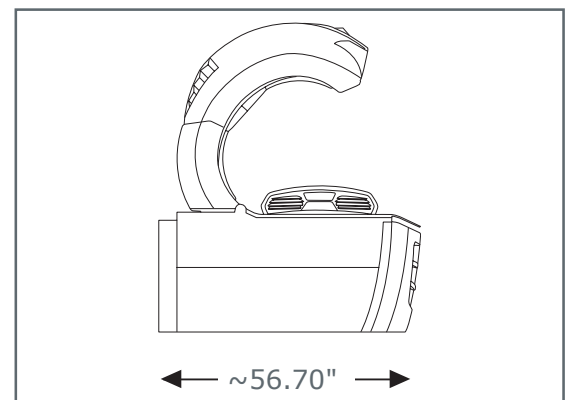
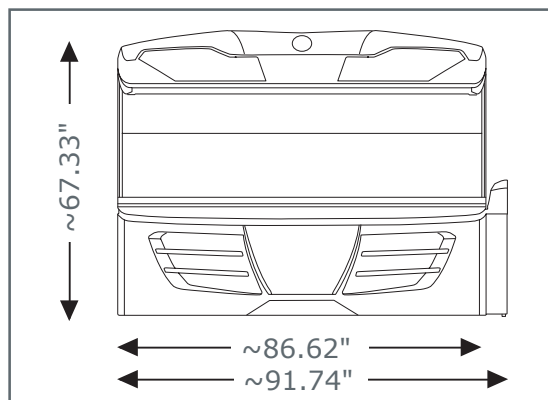
All tanning devices with Class-A ground fault circuit interrupter GFCI.

### CENTRAL EXHAUST AIR DISCHARGE

Fan:	Exhaust-air socket $\varnothing$ ~11.81 inch Height to top ~ 61.54 inch (with and without hot air recirculation)
Minimum exhaust air flow rate:	594400 gal/hour
Exhaust-air hose:	$\varnothing$ ~11.81 inch

### DIMENSIONS

Recommended roomsize:	8' x 9'
Dimensions in inch (HxWxD):	~53.94" x ~91.74" x ~62.21" (closed) ~67.33" x ~91.74" x ~56.70" (open)



Contraindication: This product is contraindicated for use on persons under the age of 18 years. "Contraindication: This product must not be used if skin lesions or open wounds are present." "Warning: This product should not be used on individuals who have had skin cancer or have a family history of skin cancer." "Warning: Persons repeatedly exposed to UV radiation should be regularly evaluated for skin cancer."